

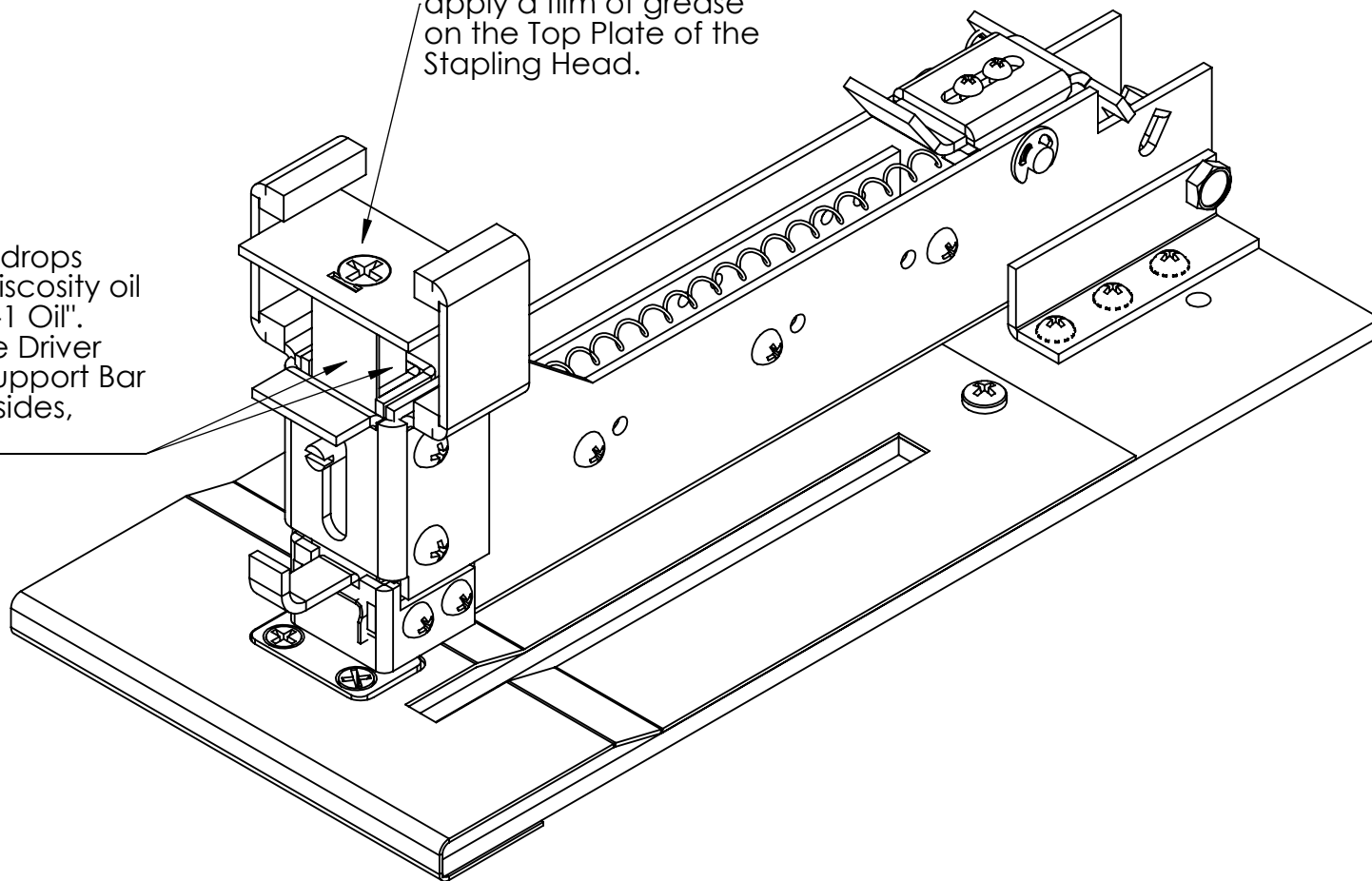
Part No. JM-22N Stapling Head for Model SJM-1N Electric Stapler

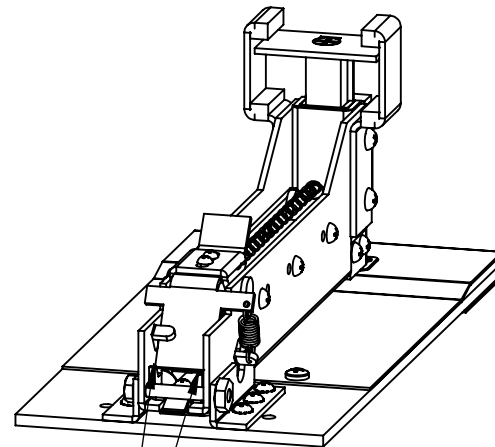
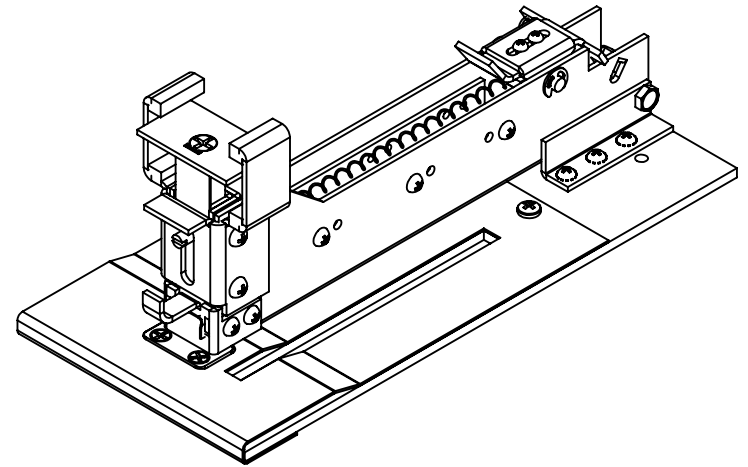
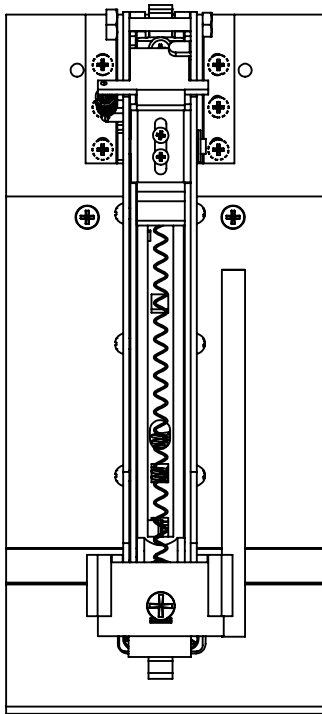
Drawing #JM-22N-1

Important Grease point!

Periodically check and
apply a film of grease
on the Top Plate of the
Stapling Head.

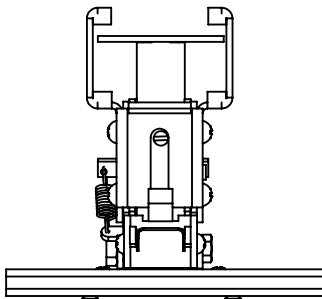
Apply a few drops
of medium viscosity oil
such as "3-in-1 Oil".
Lubricate the Driver
Blade and Support Bar
area - front, sides,
and rear.





Part No. JM-22N
Stapling Head for
Model SJM-1N Electric Stapler

Drawing #JM-22N-2



Whenever head
is out for
maintenance,
apply grease
under bottom of
Z-shape Bracket
#226 (see arrow)

